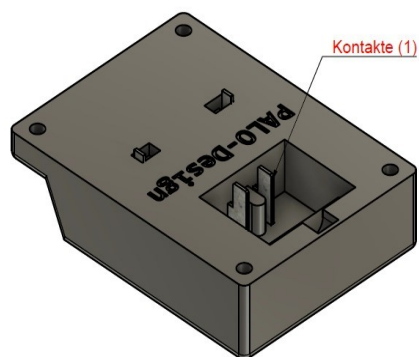
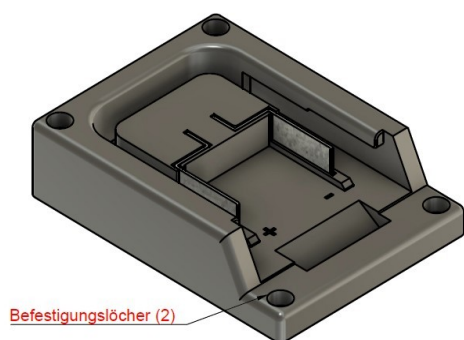


Bedienungsanleitung / Instruction Manual

Diese Bedienungsanleitung ist gültig für die folgenden Akkuadapter Serien:
These operating instructions are valid for the following battery adapter series:

	Artikelnummer
Aldi Ferrex 20-40V	110006, 110008
Bosch GBA	110012, 110001, 110104, 110105
Bosch PBA	110037, 110038
Einhell X-Change	110013, 110009, 110089, 110090
HiKOKI	110110, 110111
Hilti B12	110101
Hilti B22	110007
Hilti B22 Nuron	110085
Hilti B36	110068
Lidl X20V	110040, 110041, 110092, 110092
Lux AK-20	110076, 110078
Makita BL10xx	110049, 110048
Makita BL14xx / BL18xx	110019, 110015, 110004, 110087, 110093
Metabo 18V/36V	110051
Milwaukee M18	110016, 110017
Milwaukee M28	110061
Powerworks	110096



Beispielbilder / example Pictures

PALO – Design Akkuhalter.de

1. Intended use

This adapter is only intended as a backup power supply for electrical devices such as.:

- lamps or lighting
- radios
- ...

2. General Safety Instructions

- Do not use outdoors, avoid moisture and high temperatures.
- Only use the adapter with the battery model intended for it.
- Do not use the device if it is damaged or cracked.
- Modifications to electrical devices may only be carried out by competent persons.
- **Improper use can lead to damage, short circuits and fires.**

3. Commissioning / Installation

- The electrical connection can be made by soldering directly to the contacts (1) on the back or by using suitable flat connector sleeves (cable lugs). Please note the correct polarity (+ and -), reverse polarity can damage the devices and the battery.
- The adapter is attached using screws in the provided attachment holes (2).

4. Use

Push your battery onto the adapter until it clicks into place.

The device is now ready for operation and your battery is firmly connected to the adapter.

The battery can be removed again by pressing the release.

5. Disposal



The appliance must not be disposed of with household waste. Please dispose of this product after use as electronic waste according to the laws applicable in your country.